



OZ SERIES HYDRAULIC MOTOR

OZ series motor are small volume, economical type, which is designed with shaft distribution flow, which adapt the Gerotor gear set design and provide compact volume, high power and low weight.

Characteristic features:

- * Advanced manufacturing devices for the Gerotor gear set, which provide small volume, high efficiency and long life.
- * Shaft seal can bear high pressure of motor of which can be used in parallel or in series.
- * Advanced construction design, high power and low weight.

Main Specification

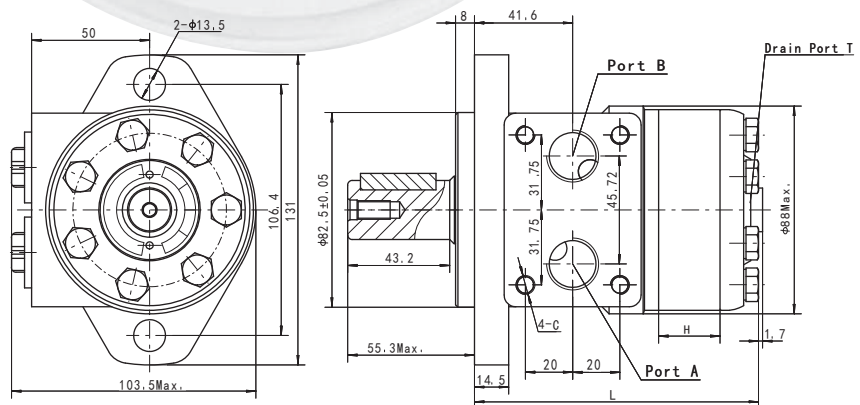
Technical data for OZ with 25 and 1 in and 1 in splined and 28.56 tapered shaft

Code	Displacement [cm/rev]	Max.Speed [rpm]		Max.Torque [Nm]		Max.output [kW]		Max.pressure [MPa]		Max.Oil Flow[L/min]
		cont.	int.	cont.	int.	cont.	int.	cont.	int.	
OZ 36	37	1081	68	51	5.2	8.6	10.5	14	40	
OZ 50	51.7	774	96	73	5.2	8.6	10.5	14	40	
OZ 80	77.7	515	143	106	5.2	8.6	10.5	14	40	
OZ 100	96.2	416	178	140	5.2	8.6	10.5	14	40	
OZ 125	120.2	339	218	162	5.2	8.6	10.5	14	40	
OZ 160	157.2	257	288	216	5.2	8.6	10.5	14	40	
OZ 200	194.5	211	351	264	5.2	8.6	10.5	14	40	
OZ 250	240.3	173	351	281	4.6	7	9	11.5	40	
OZ 315	314.5	128	433	312	3.4	5.8	7	10.5	40	
OZ 400	389.5	104	582	392	3.4	5.8	7	10.5	40	

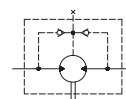
* Intermittent operation: the permissible values may occur for max.10% of every minute

OZ DIMENSIONS AND MOUNTING DATA

Type	H	L
OZ36	7	101
OZ50	7	101
OZ80	10.5	104.5
OZ100	13	107
OZ125	16	110
OZ160	21	115
OZ200	26	120
OZ250	32	126
OZ315	42	136
OZ400	52	146



Code	D (depth)	M (depth)	S (depth)	P (depth)	R (depth)
P(A,B)	G1/2 (15)	M22 x 1.5 (15)	7/8-14 O-ring (16.7)	1/2-14NPTF (15)	PT(RC)1/2 (15)
C	4-M8 (13)	4-M8 (13)	4-5/16-18UNC(13)	4-5/16-18UNC(13)	4-M8 (13)
T	G1/4 (12)	M14 x 1.5 (12)	7/16-20UNF (12)	7/16-20UNF (12)	PT(RC)1/4 (9.7)



Direction of shaft rotation: Standard
 When facing shaft end of motor, shaft to rotate:
 Clockwise when port "A" is pressurized.
 Counter-clockwise when port "B" is pressurized.

